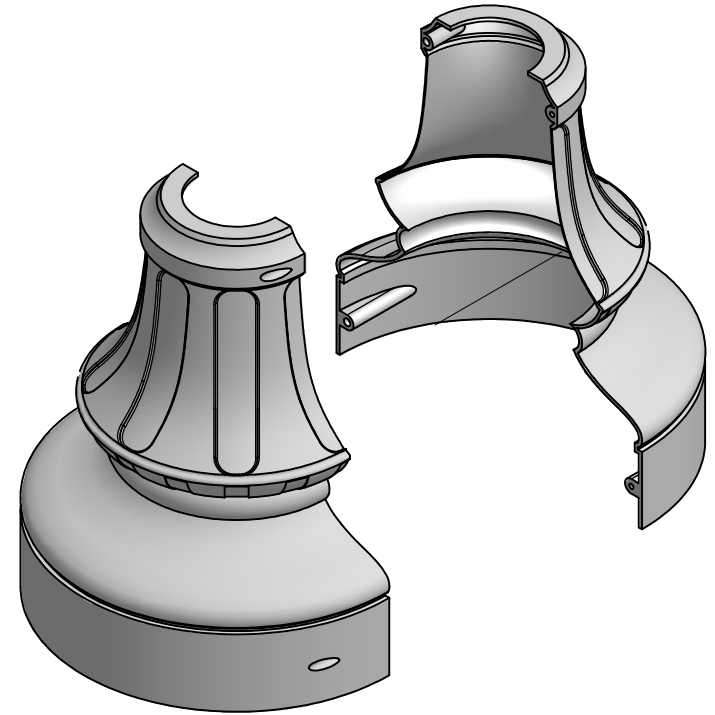



NOTE: FINISH SHALL BE POLYESTER POWDER COAT
IN A STANDARD COLOR.



CLAMSHELL BASE CASTING

DRAWN M. HARVALA	11/18/2010	 LYTE POLES, INC. P.O. BOX 340 EASTPOINTE, MI 48021		
CHECKED				
QA		TITLE		
MFG				
APPROVED				
		SIZE C	DWG NO B1-CS	REV
		SCALE	SHEET 1 OF 1	