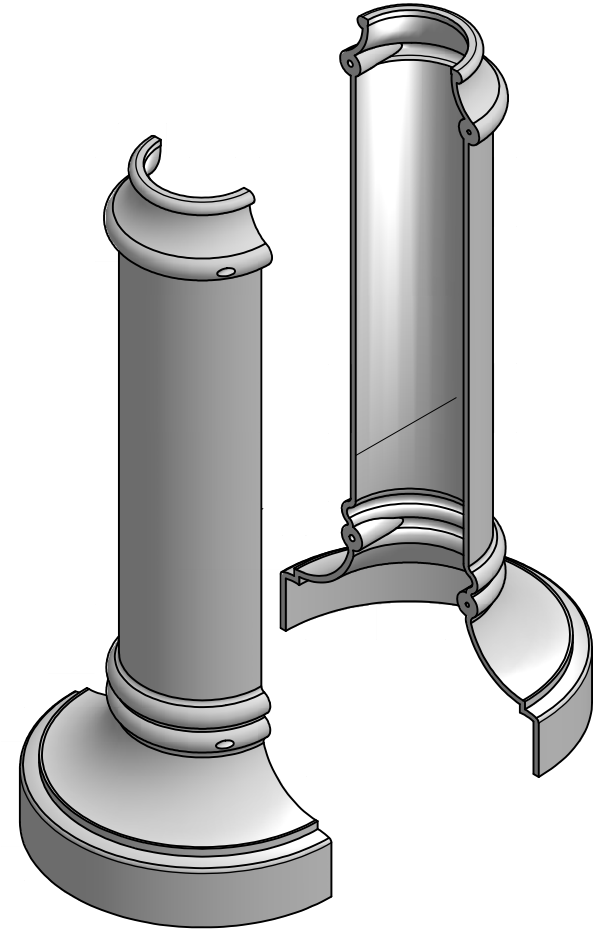



NOTE: FINISH SHALL BE POLYESTER POWDER COAT IN A STANDARD COLOR.



CLAMSHELL BASE CASTING

DRAWN M. HARVALA	11/18/2010	 <b>LYTE POLES, INC.</b> P.O. BOX 340 EASTPOINTE, MI 48021	TITLE	
CHECKED			TITLE	
QA			TITLE	
MFG			TITLE	
APPROVED		SIZE C	DWG NO B5-CS	REV
		SCALE	SHEET 1 OF 1	