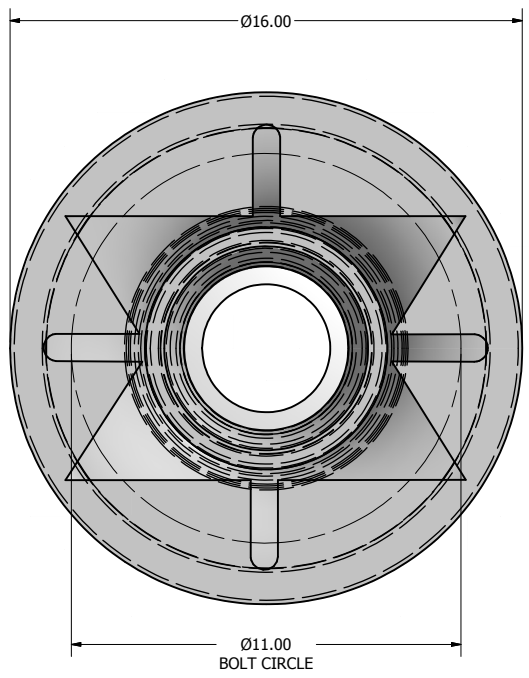



NOTE: FINISH SHALL BE POLYESTER POWDER COAT IN A STANDARD COLOR.

****NOTE FOR ALUMINUM POLES ONLY****



BASE CASTING BOTTOM VIEW

DRAWN M. HARVALA	11/18/2010	 LYTE POLES, INC. P.O. BOX 340 EASTPOINTE, MI 48021		
CHECKED				
QA		TITLE		
MFG				
APPROVED				
		SIZE C	DWG NO B5	REV
		SCALE	SHEET 1 OF 1	